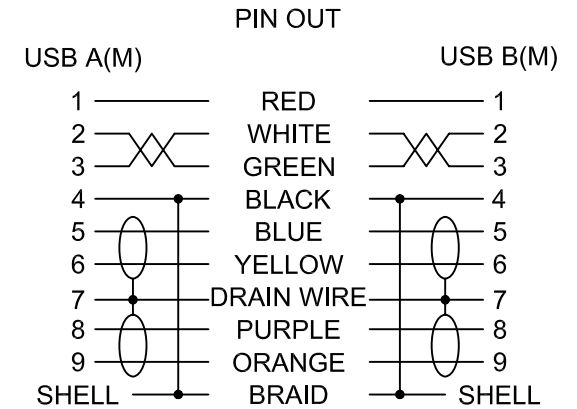
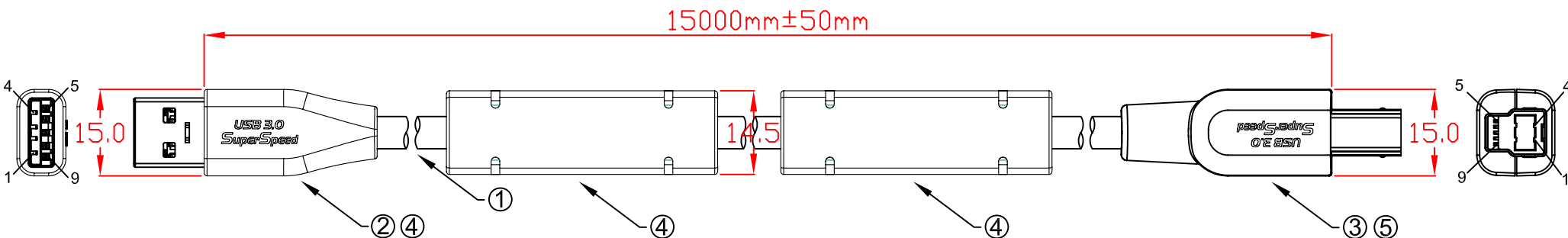
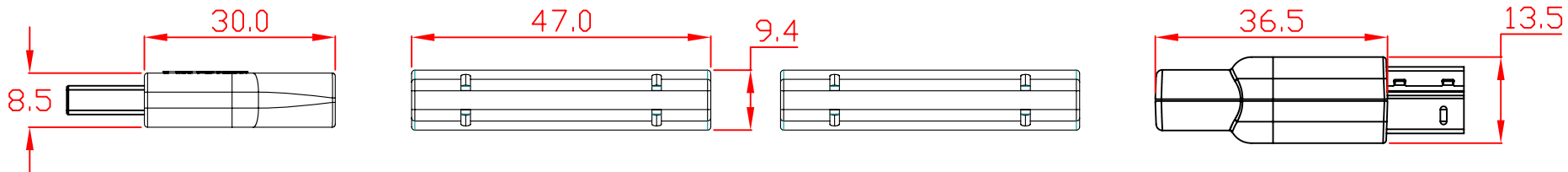


L:
 CBL-D302-5m 5000mm±30mm
 CBL-D302-7m 7000mm±30mm
 CBL-D302-10m 10000mm±30mm

No	MATERIALS LIST:
1.	CABLE:UL2725 (28AWG*1PR+D+AM)x2C+28AWG*1PR+24AWG*1C+AM+B OD:5.6mm PVC JACKET COLOR:BLACK
2.	CONNECTOR:USB 3.0 A/M, 9P, BLUE INSULATOR SOLDER TYPE, PIN 30u" NICKEL PLATED SHELL
3.	CONNECTOR:USB 3.0 B/M, 9P, BLUE INSULATOR SOLDER TYPE, PIN 30u" NICKEL PLATED SHELL
4.	PVC MOLDED HOUSING, BLACK COLOR
5.	ABS ASSEMBLY HOUSING, BLACK COLOR

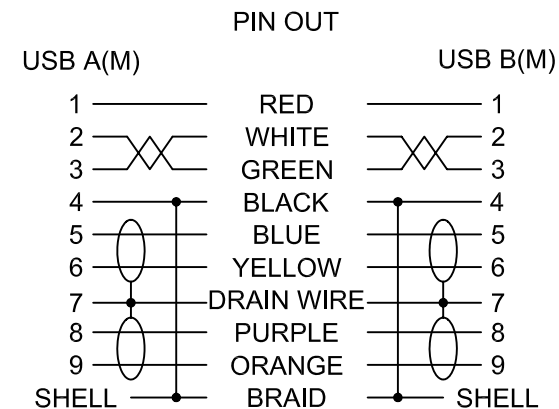


Jargy part no.	Client part no.	Approved	SCALE	UNIT
CBL-D302-Xm			1 : 1	mm
Drawing Name		Drawn	Date	REV.
USB 3.0 A to B Cable M/M		<i>Kevin Hsu</i>	2016/07/21	1.0

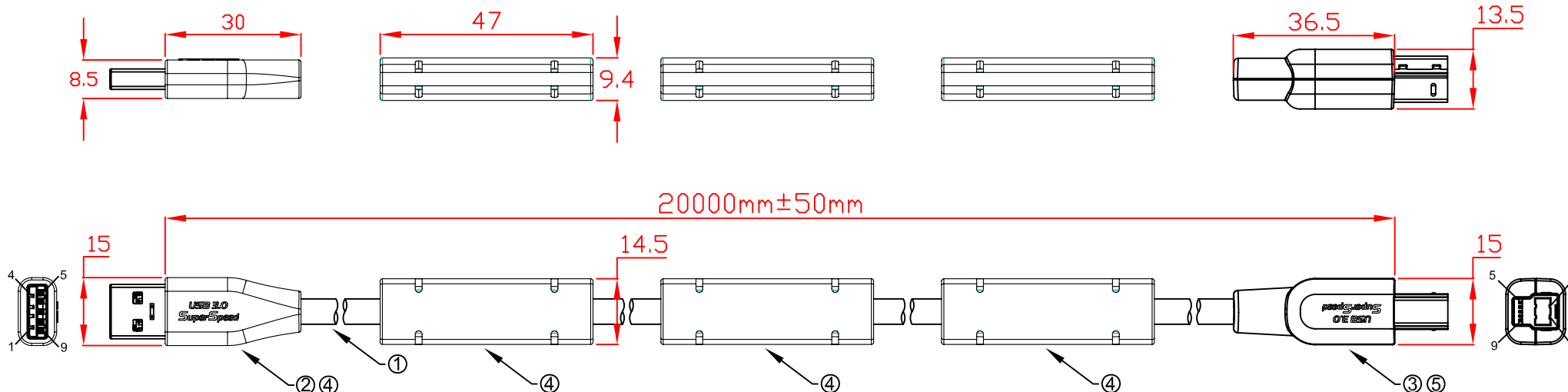


CBL-D302-15m 15000mm±50mm

No	MATERIALS LIST:
1.	CABLE:UL2725 (28AWG*1PR+D+AM)x2C+28AWG*1PR+24AWG*1C+AM+B OD:5.6mm PVC JACKET COLOR:BLACK
2.	CONNECTOR:USB 3.0 A/M, 9P, BLUE INSULATOR SOLDER TYPE, NICKEL PLATED SHELL
3.	CONNECTOR:USB 3.0 B/M, 9P, BLUE INSULATOR SOLDER TYPE, NICKEL PLATED SHELL
4.	PVC MOLDED HOUSING, BLACK COLOR
5.	ABS ASSEMBLY HOUSING, BLACK COLOR

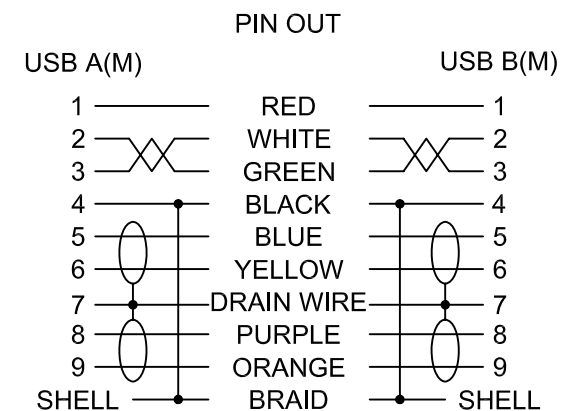


Jargy part no.	Client part no.	Approved	SCALE	UNIT
CBL-D302-15m			1 : 1	mm
Drawing Name		Drawn	Date	REV.
15m USB 3.0 A to B Cable M/M		<i>Kevin Hsu</i>	2016/07/21	1.0

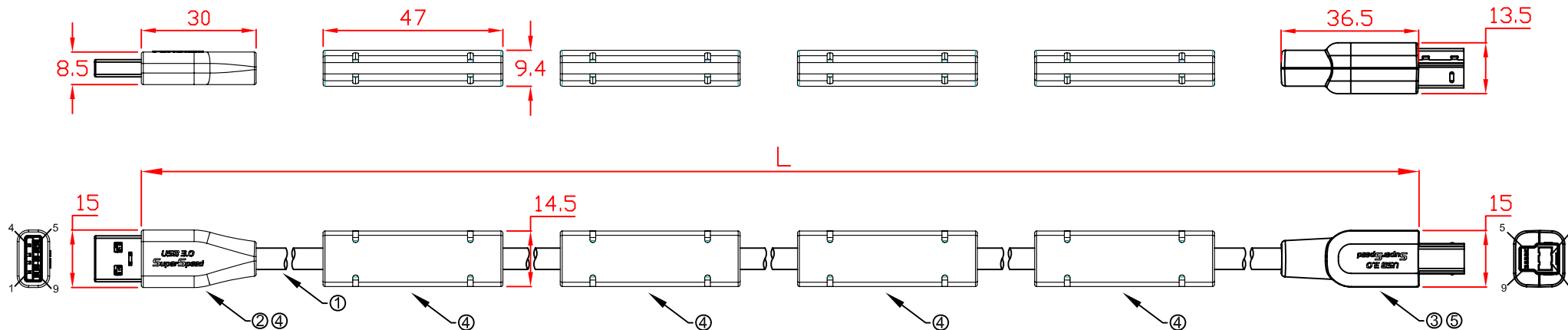


CBL-D302-20m 20000mm±50mm

No	MATERIALS LIST:
1.	CABLE:UL2725 (28AWG*1PR+D+AM)x2C+28AWG*1PR+24AWG*1C+AM+B OD:5.6mm PVC JACKET COLOR:BLACK
2.	CONNECTOR:USB 3.0 A/M, 9P, BLUE INSULATOR SOLDER TYPE, NICKEL PLATED SHELL
3.	CONNECTOR:USB 3.0 B/M, 9P, BLUE INSULATOR SOLDER TYPE, NICKEL PLATED SHELL
4.	PVC MOLDED HOUSING, BLACK COLOR
5.	ABS ASSEMBLY HOUSING, BLACK COLOR

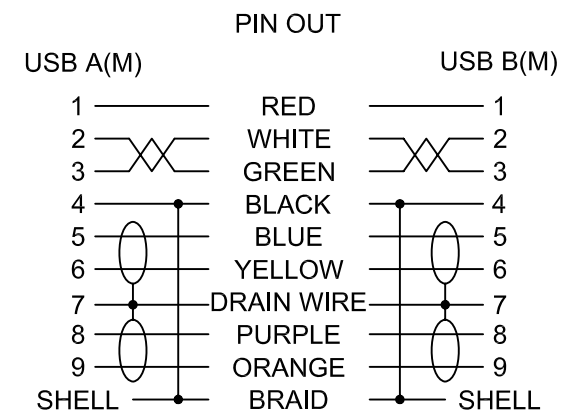


Jargy part no.	Client part no.	Approved	SCALE	UNIT
CBL-D302-20m			1 : 2	mm
Drawing Name		Drawn	Date	REV.
20m USB 3.0 A to B Cable M/M		<i>Kevin Hsu</i>	2016/07/21	1.0

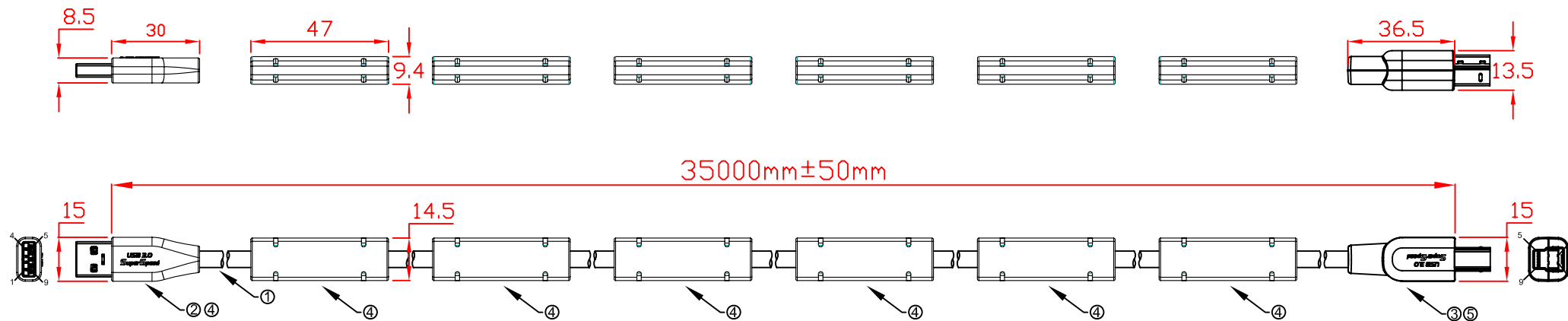


L:
 CBL-D302-25m 25000mm±50mm
 CBL-D302-30m 30000mm±50mm

No	MATERIALS LIST:
1.	CABLE:UL2725 (28AWG*1PR+D+AM)x2C+28AWG*1PR+24AWG*1C+AM+B OD:5.6mm PVC JACKET COLOR:BLACK
2.	CONNECTOR:USB 3.0 A/M, 9P, BLUE INSULATOR SOLDER TYPE, NICKEL PLATED SHELL
3.	CONNECTOR:USB 3.0 B/M, 9P, BLUE INSULATOR SOLDER TYPE, NICKEL PLATED SHELL
4.	PVC MOLDED HOUSING, BLACK COLOR
5.	ABS ASSEMBLY HOUSING, BLACK COLOR



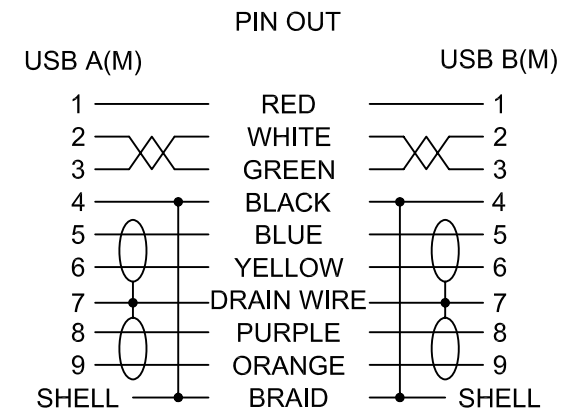
Jargy part no.	Client part no.	Approved	SCALE	UNIT
CBL-D302-Xm			1 : 2	mm
Drawing Name		Drawn	Date	REV.
USB 3.0 A to B Cable M/M		<i>Kevin Hsu</i>	2016/07/21	1.0



CBL-D302-35m 35000mm±50mm

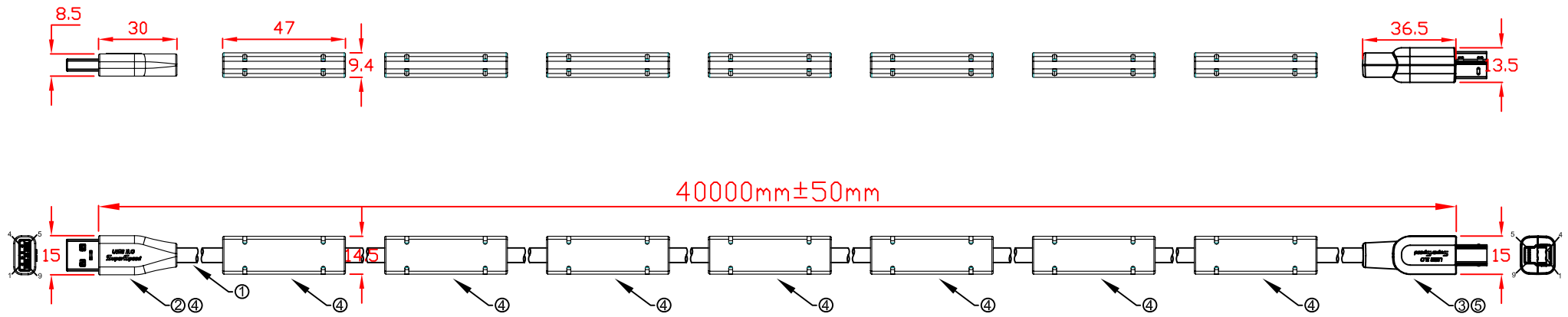
No MATERIALS LIST:

1.	CABLE:UL2725 (28AWG*1PR+D+AM)x2C+28AWG*1PR+24AWG*1C+AM+B OD:5.6mm PVC JACKET COLOR:BLACK
2.	CONNECTOR:USB 3.0 A/M, 9P, BLUE INSULATOR SOLDER TYPE, NICKEL PLATED SHELL
3.	CONNECTOR:USB 3.0 B/M, 9P, BLUE INSULATOR SOLDER TYPE, NICKEL PLATED SHELL
4.	PVC MOLDED HOUSING, BLACK COLOR
5.	ABS ASSEMBLY HOUSING, BLACK COLOR



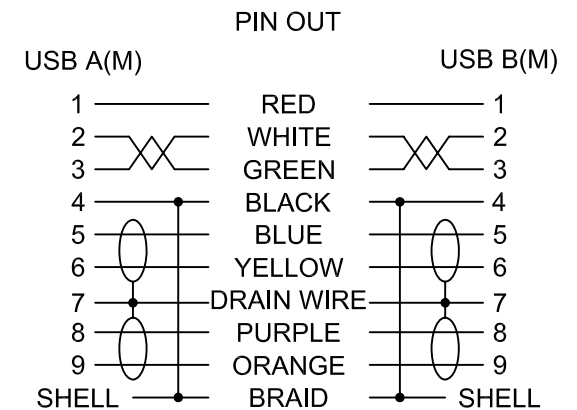
Jargy part no.	Client part no.	Approved	SCALE	UNIT
CBL-D302-35m			1 : 2	mm
Drawing Name		Drawn	Date	REV.
35m USB 3.0 A to B Cable M/M		<i>Kevin Hsu</i>	2016/07/21	1.0



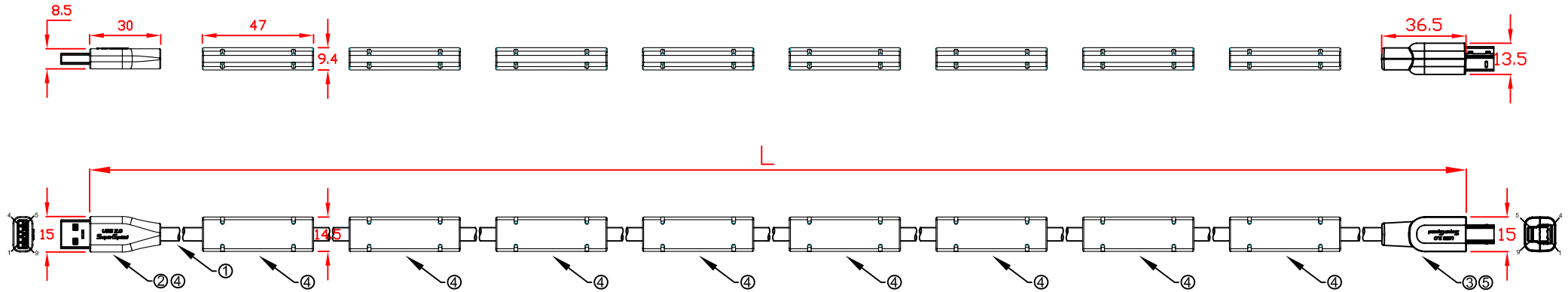


CBL-D302-40m 40000mm±50mm

No	MATERIALS LIST:
1.	CABLE:UL2725 (28AWG*1PR+D+AM)x2C+28AWG*1PR+24AWG*1C+AM+B OD:5.6mm PVC JACKET COLOR:BLACK
2.	CONNECTOR:USB 3.0 A/M, 9P, BLUE INSULATOR SOLDER TYPE, NICKEL PLATED SHELL
3.	CONNECTOR:USB 3.0 B/M, 9P, BLUE INSULATOR SOLDER TYPE, NICKEL PLATED SHELL
4.	PVC MOLDED HOUSING, BLACK COLOR
5.	ABS ASSEMBLY HOUSING, BLACK COLOR

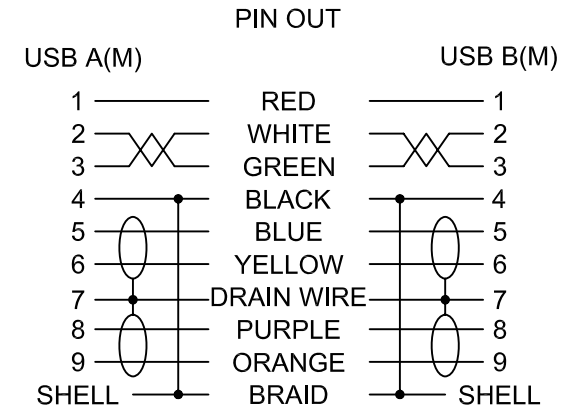


Jargy part no.	Client part no.	Approved	SCALE	UNIT
CBL-D302-40m			1 : 2	mm
Drawing Name		Drawn	Date	REV.
40m USB 3.0 A to B Cable M/M		<i>Kevin Hsu</i>	2016/07/21	1.0



L:
 CBL-D302-45m 45000mm±50mm
 CBL-D302-50m 50000mm±50mm

No	MATERIALS LIST:
1.	CABLE:UL2725 (28AWG*1PR+D+AM)x2C+28AWG*1PR+24AWG*1C+AM+B OD:5.6mm PVC JACKET COLOR:BLACK
2.	CONNECTOR:USB 3.0 A/M, 9P, BLUE INSULATOR SOLDER TYPE, NICKEL PLATED SHELL
3.	CONNECTOR:USB 3.0 B/M, 9P, BLUE INSULATOR SOLDER TYPE, NICKEL PLATED SHELL
4.	PVC MOLDED HOUSING, BLACK COLOR
5.	ABS ASSEMBLY HOUSING, BLACK COLOR



Jargy part no.	Client part no.	Approved	SCALE	UNIT
CBL-D302-Xm			1 : 2	mm
Drawing Name		Drawn	Date	REV.
USB 3.0 A to B Cable M/M		<i>Kevin Hsu</i>	2016/07/21	1.0